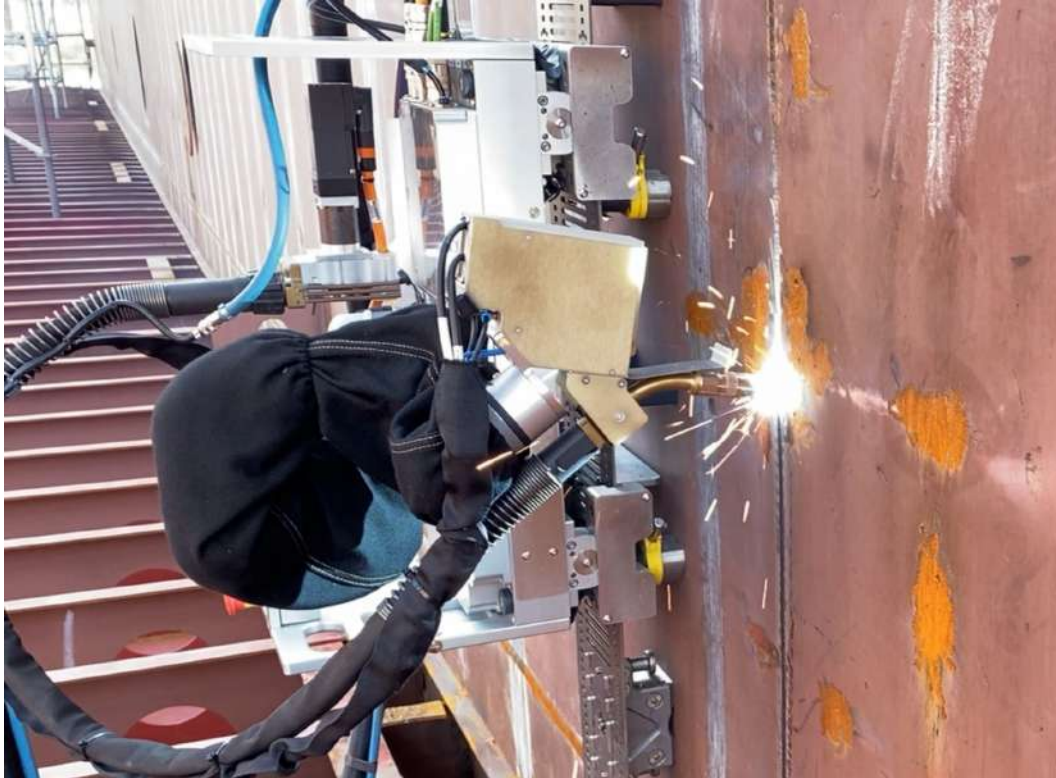


Inrotech-Crawler

Featuring WeldLogic Technology



Segment: The Inrotech-Crawler is designed for heavy industry for welding of high quality multipass weldings on site in any position needed. The robot can also be used in ship- and submarine-building.

Description: The Inrotech-Crawler can be moved around in any kind of production and thus offer an extremely high degree of flexibility to the customer. It consists of three main assemblies:

1. The welding robot.
2. The titanium rail with magnets.
3. The control and power cabinet

The titanium rail system is installed on the object within robot reach of the welding groove, then the small and mobile Inrotech-Crawler is mounted.

Operation: Quality with simplicity: The robot initially performs a full scan of the weld groove. Once the scan is complete, the software automatically calculates the full welding process:

- Number of welding passes
- Location of each pass
- Selection of welding parameters

The Inrotech-Crawler starts welding after the software analysis. The robot continuously and automatically adjusts the welding parameters according to its changing position (e.g. around a pipe) and automatically compensates for variations in the weld groove geometry up to 50%. It is an iterative process hence the welding resumes until the groove is filled up uniformly.

The Inrotech-Crawler is provided with remote-access for online support.

Inrotech-Crawler

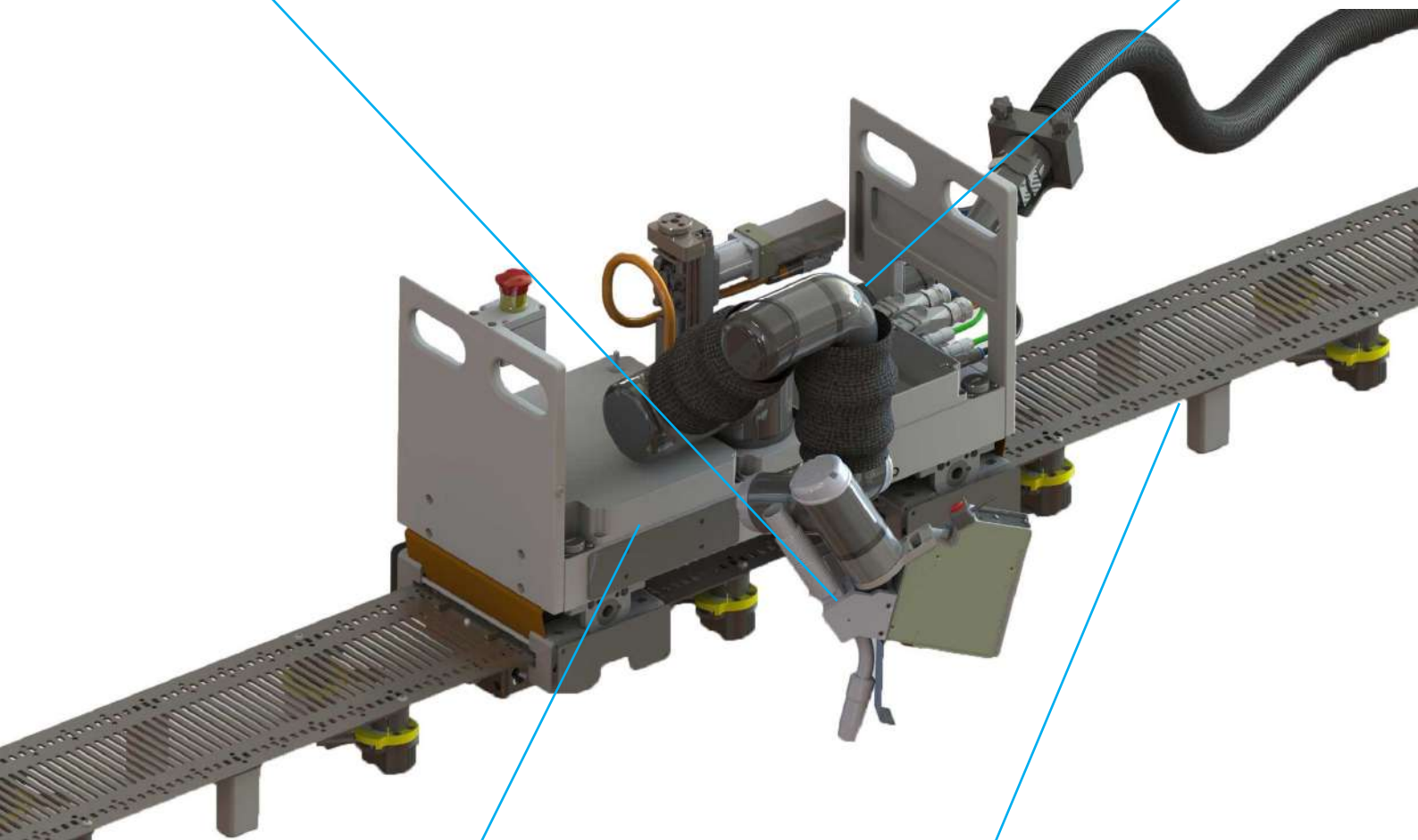
Featuring WeldLogic Technology

Scanner & welding gun

- Scanner and welding gun
- Scanner house with line-scanner and optionally a temperature sensor for measuring interpass temperature.
- The inclination sensor is used to control the welding position

Unique Robot Arm:

- Light-weight robot arm from Universal Robots.
- Equipped with a handheld tablet with intuitive icon based interface.



Featuring:

- Wire straightener w. wire pull system
- Gas cup cleaner
- Camera for online support (optionally)
- Inclination sensor
- Quick connector to Supersnake
- Optional a battery back-up in case of power cut

Titanium Rail System

- Modular rails can be joined to any length (each rail is 3m long).
- High temperature switchable magnets ("Magswitch").
- Rails can be placed in practically any position, making the robot mobile and versatile.
- Complete setup is easily moved and applicable for other welding jobs.